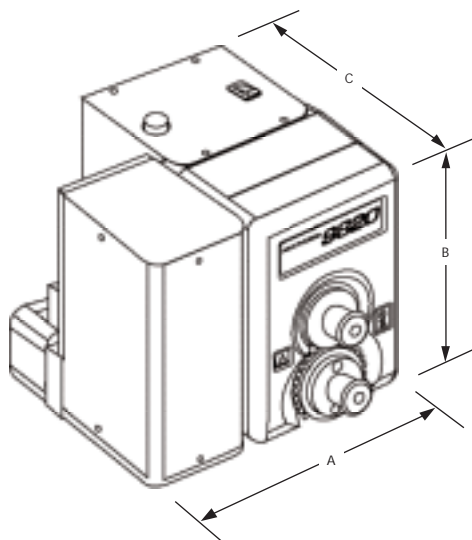


MARKEM 9820 CONTACT CODER

Reliability and simplicity for your packaging line.

MARKEM contact coders offer simple, reliable operation and use Touch Dry® inks for clean, efficient coding. The film-driven 9820 is ideal for low-speed, continuous-motion lines.



	A	B	C
CM	17,8	15,2	16,5
INCHES	7.0	6.0	6.5

Print Area: 3,81cm (1½") axial by 4,76cm (1¾") radial.

Surface Speed: Maximum 40m/minute (1600"/minute).

Cycle Rate: Up to 250 cycles/minute.
Minimum cut-off length:
1-up – 20cm (8").
2-up – 10cm (4").
4-up – 5,1cm (2").

Electrical and Environmental: 115V/230V, 50-60Hz, 1Ph, 100W.
100/200V, 50-60Hz, 1Ph, 100W.
Noise level not to exceed 75dB(A).

Sensors: Proximity switch, electric eye, dry contact closure, or PLC interface.
Drive – friction controlled by DC clutch.
Heating control – AC thermal switch.

Supplies: Curved engraved brass rotary Touch Dry type.
Touch Dry ink rolls available in three widths and a variety of colors.

Mounting: Printing unit and pressure roller – on mounting bar.

Weight (approx): Printing unit – 3,9kg (8.5lbs.).

Patents: United States 4,559,872; 5,450,793;
Canada 1,230,519; Europe 0,163,808;
0,626,258; Japan 2,124,819; South Korea
28,920; United Kingdom 2,277,711.
Other patents pending.

Specifications and other technical information are subject to change without notice.

MARKEM

w w w . m a r k e m . c o m



EL AGUIZY
INTERNATIONAL COMPANY
For Economic
Development S.A.E.

6th Of October City
2nd Ind. Zone -
District 14:17 (St. 16)

Tel. +20 2 833 5710
Fax +20 2 833 1878
email: reham@elaguizy.com
www.elaguizy.com

MARKEM Continental Europe b.v., Nesland 3, Postbus 178, 1380 AD, Weesp, The Netherlands • Tel. +31 294 460460 • Fax +31 294 460466 • www.markem.nl • **MARKEM HEADQUARTERS** 150 Congress Street, PO Box 2100 • Keene, NH 03431 USA • Tel. +1 603-352-1130 • Fax +1 603-357-1835 www.markem.com • **MARKEM BUSINESS CENTERS:** Belgium, Brazil, Canada, China, France, Germany, Italy, Japan, Malaysia, Mexico, Netherlands, Philippines, Singapore, Spain, Switzerland, United Kingdom, Uruguay ©MARKEM Corporation 1871620 Rev. 00 (07/05)