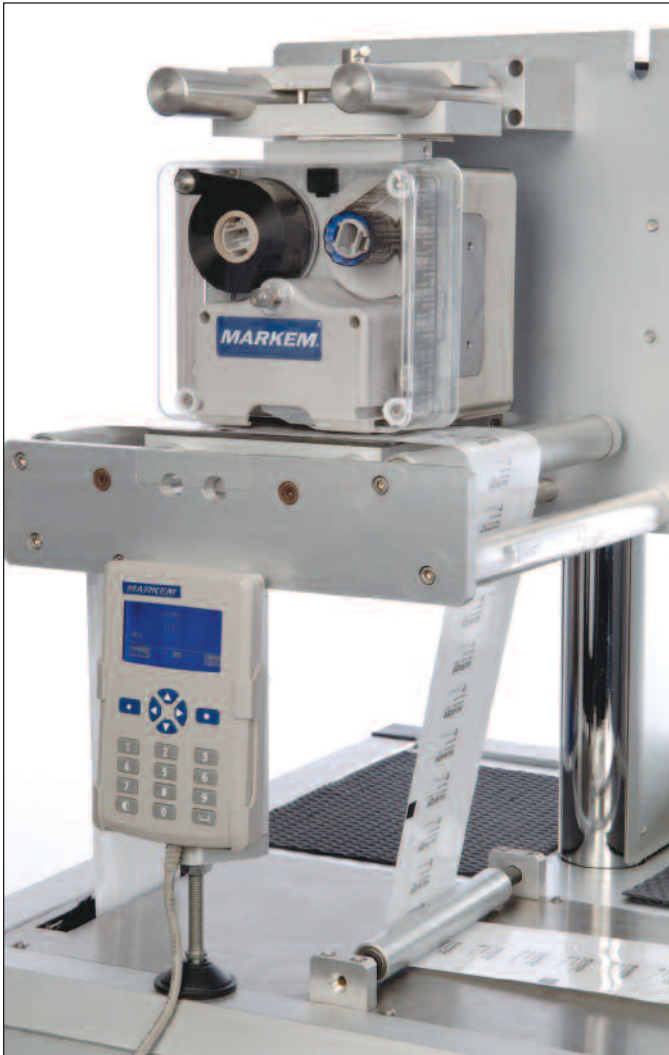


# 18 SERIES THERMAL TRANSFER CODERS

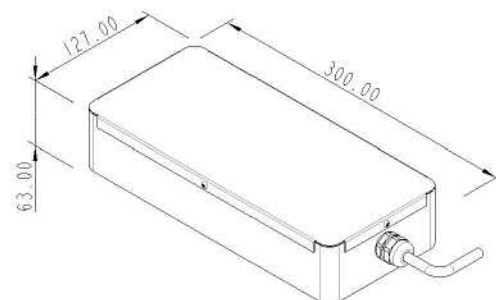
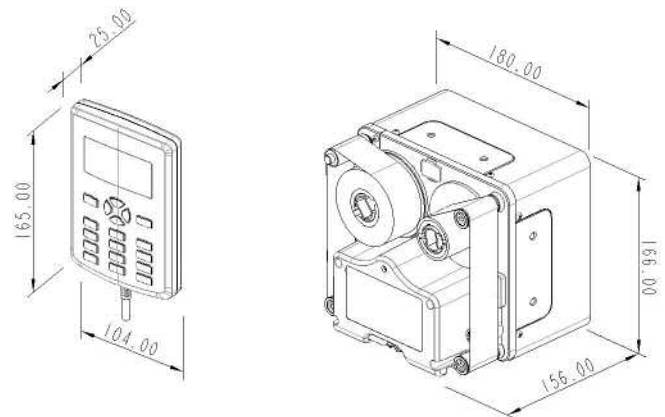
Affordable Digital Coding

**MARKEM**



The 18 series low cost thermal transfer coders are simple, affordable, complete digital coding solutions for your packaging line. The 18 series coders, designed for intermittent or continuous motion lines, offer comparable operating costs to ink jet, hot stamp, or other traditional technologies.

- Image can accommodate variable information including, date, best before end date, lot and batch codes, line ID or customer logo and time
- Intermittent speed up to 200mm/sec. Continuous speed up to 450mm/sec.



User Interface

# MODEL 18i/18c SPECIFICATIONS

|                       |   |                           |  |
|-----------------------|---|---------------------------|--|
| <b>Print Area</b>     | 32mm x 40mm (1.3" x 1.6")   | <b>Environment</b>        | Temperature: 4° to 40°C (39° to 104°F)<br>Relative humidity: 20-90% non-condensing<br>Dry (no IP rating), non wash down  |
| <b>Print Speed</b>    | Intermittent 150mm/sec. or 200mm/sec<br>(5.91"/sec. or 7.9"/sec)<br>Continuous production mode 20mm/s to 450mm/s<br>(0.8"/s to 17.7"/s)   | <b>User Interface</b>     | Dockable handheld<br>Multiple language support   |
| <b>Print Features</b> | Resolution: 8 dots/mm<br>Ribbon save option: Interlace<br>(50% saving of ribbon)<br>100 built in images<br>User defined image built up from elements:<br>Current date (all based on built in real time clock)<br>Date with fixed offset (for "Best Before End" date)<br>Date with user entered offset<br>Time (hours/minutes)<br>Serial number feature, incrementing up to 10 digits<br>Automatic shift code roll over including alpha/<br>numeric text<br>Fixed text<br>User entered alpha/numeric data<br>(e.g. lot number, line ID)<br>PC based CoLOS™ Create image composition<br>software included to allow creation of user defined<br>images using the individual image elements<br>Logos (imported bitmap images including<br>fixed barcodes) Requires CoLOS Create Pro<br>Full international character set<br>Image loading via USB memory stick | <b>Hardware Interface</b> | Inputs: Print Go (24V DC)<br>Outputs: Fault and warning (volt free contacts)   |
| <b>Electrical</b>     | Voltage (auto ranging) 90V - 260V 47Hz - 63Hz<br>Current consumption: 1A @ 230V - 2A @ 100V   | <b>Supplies</b>           | MARKEM thermal transfer ribbon available<br>in a variety of grades and colors<br>Maximum ribbon length 450m (492 yards)<br>(500m for 3818)<br>Minimum ribbon width 22mm (.87")<br>Maximum ribbon width 33mm (1.3") |
|                       |   | <b>Dimensions</b>         | Printer: 180mmW x 156mmD x 166mmH<br>(7"W x 6.1"D x 6.5"H)<br>Power Supply: 300mmW x 127mmD x 63mmH<br>(11.8"W x 5"D x 2.5"H)<br>User Interface: 104mmW x 25mmD x 165mmH<br>(4"W x .98"D x 6.5"H)                  |
|                       |   | <b>Weight</b>             | Printer 8.5kgs (18.7lbs)<br>Power supply: 2kgs (4.4lbs)<br>User Interface: 0.5kgs (1.1lbs)<br>Bracket: 10kgs (22lbs)   |

\* Specifications and other technical information are subject to change without notice.

MARKEM is a registered trademark of MARKEM Corporation. Other names, logos, icons and marks identifying MARKEM products and services referenced herein are trademarks of MARKEM Corporation and may not be used without the prior written permission of MARKEM. Other product and company names listed are trademarks or trade names of their respective companies. Copyright © 2006 MARKEM Corporation. All rights reserved. All of the specifications shown in this brochure are subject to change without notice. The information contained herein is based on testing using MARKEM supplies, software and parts. Test conditions may vary from end use. The exclusive warranty on MARKEM products is set forth in the MARKEM standard warranty. The user should test to determine suitability for an intended use.



## MARKEM

[www.markem.com](http://www.markem.com)



MARKEM CORPORATION: 150 Congress Street, PO Box 2100 Keene, NH 03431 • Tel.: 866-263-4644 • Fax: 603-357-1835 • MARKEM BUSINESS CENTERS: Belgium, Brazil, Canada, China, France, Germany, Italy, Japan, Malaysia, Mexico, Netherlands, Philippines, Singapore, Spain, Switzerland, United Kingdom • ©MARKEM Corporation (07/07)